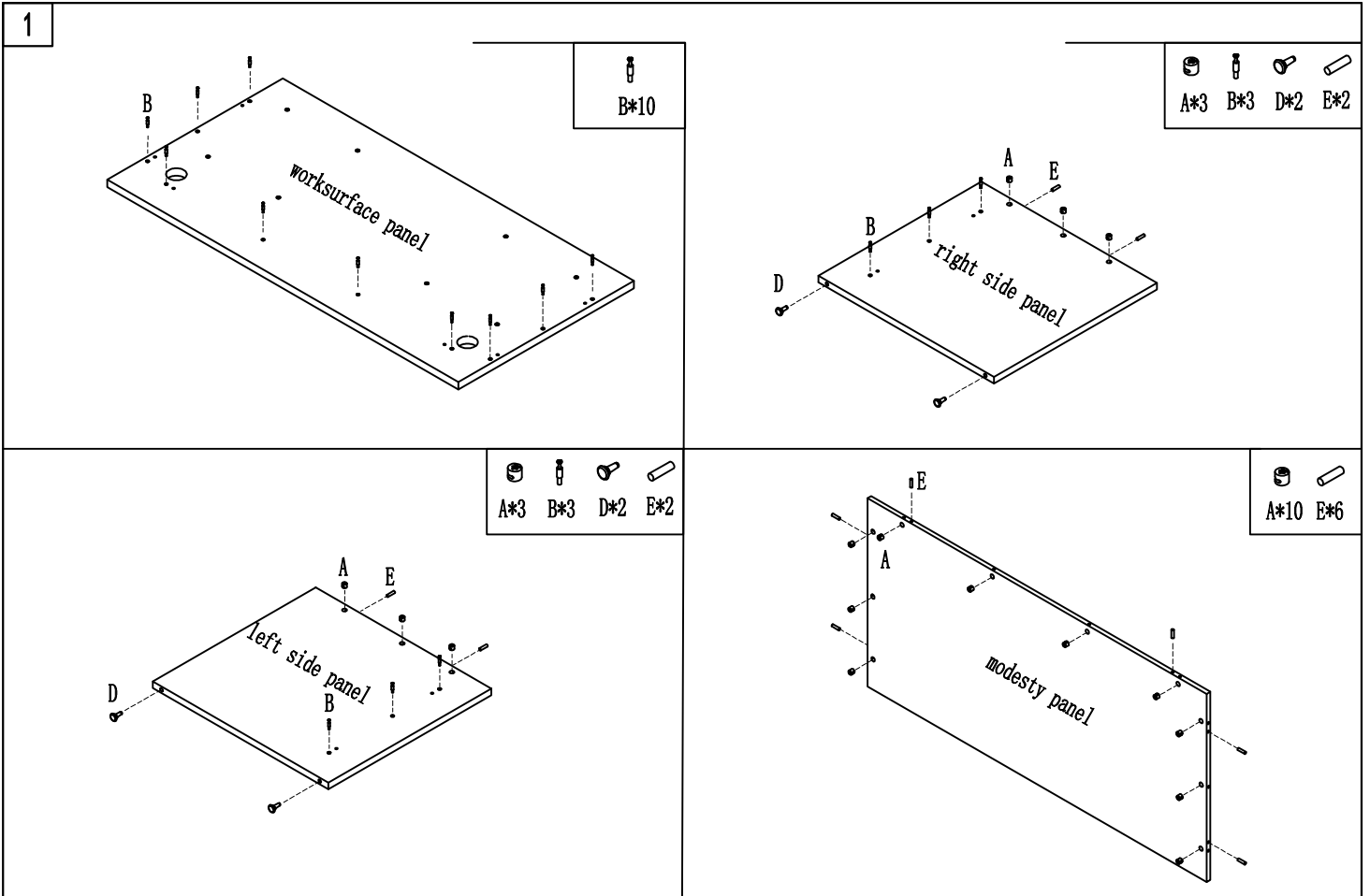
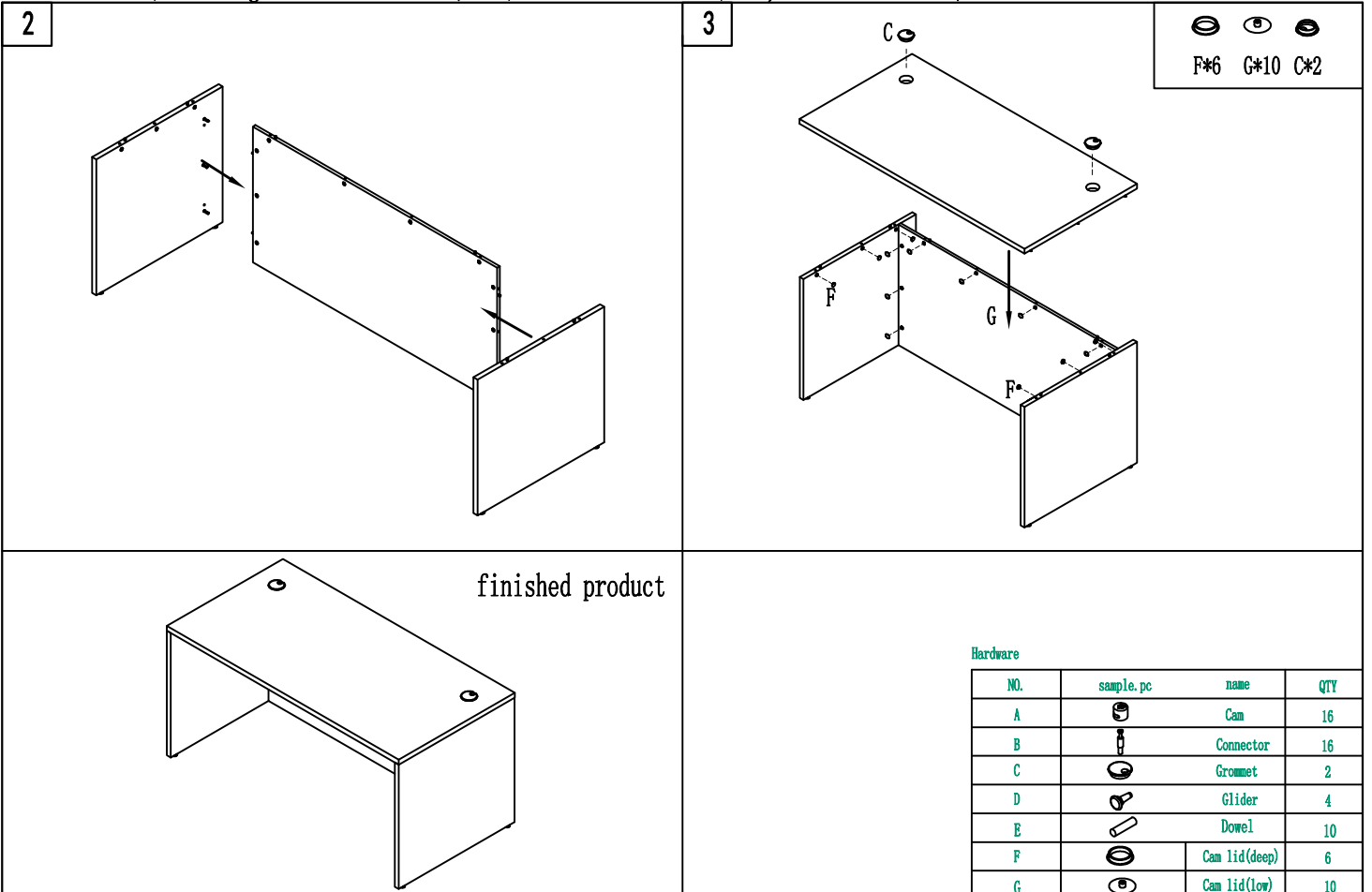


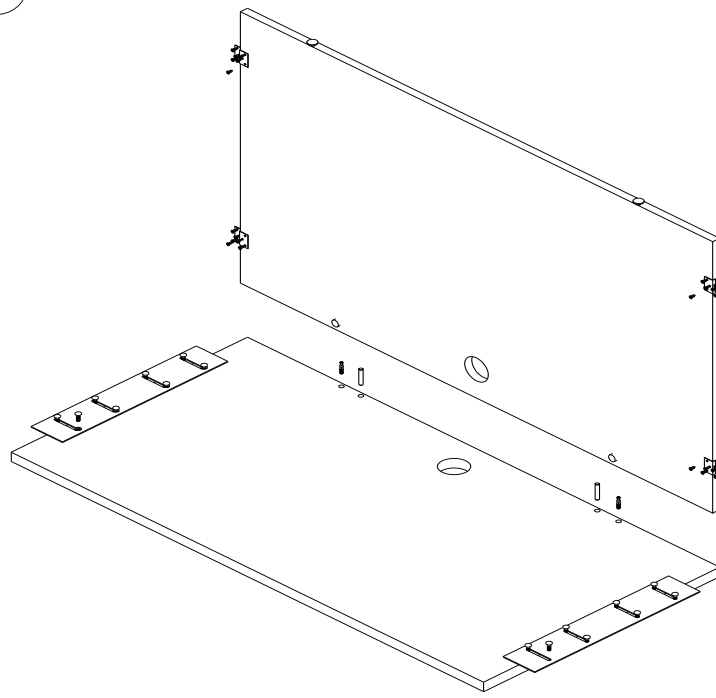
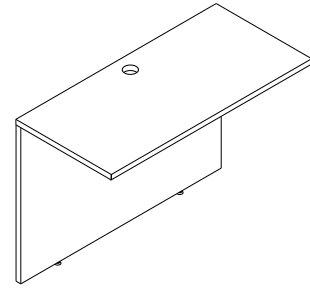
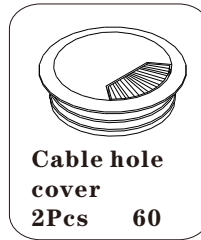
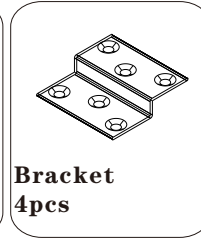
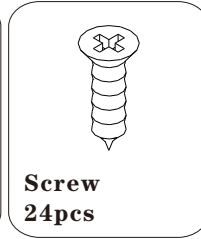
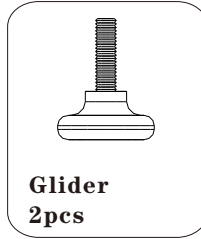
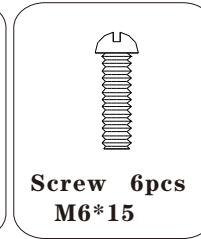
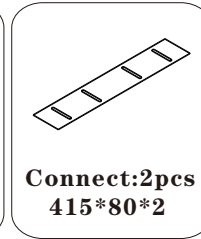
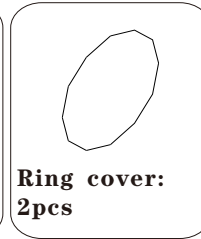
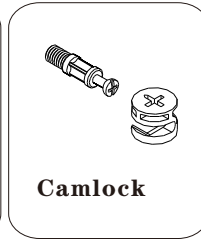
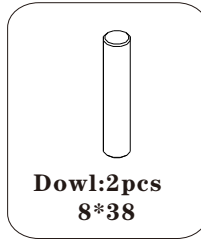
Installation / Rectangular Shell Desk (35 1/2"D x 71"W x 29 1/2"H, 1800W*900D*750H)



Installation / Rectangular Shell Desk (35 1/2"D x 71"W x 29 1/2"H, 1800W*900D*750H)



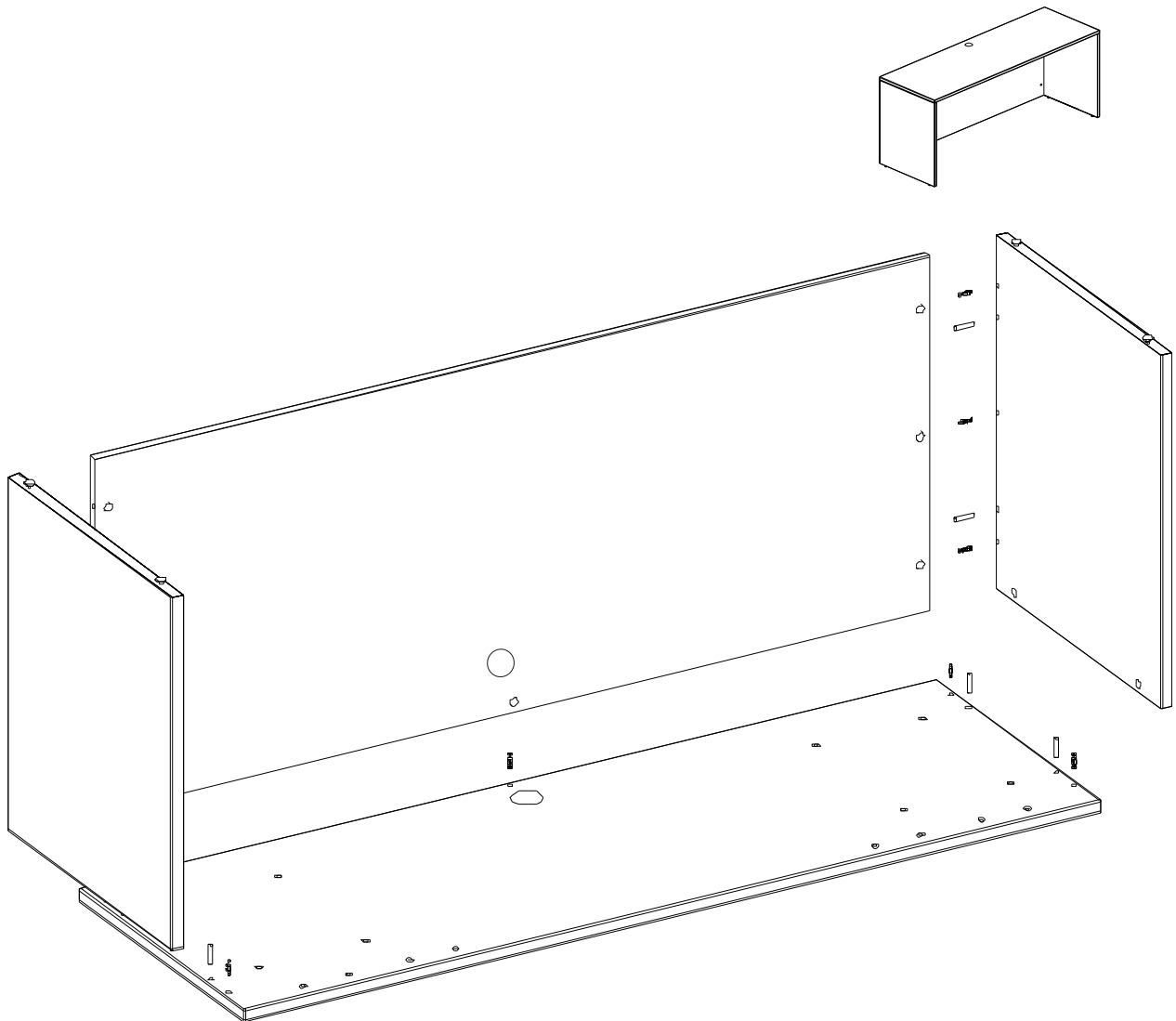
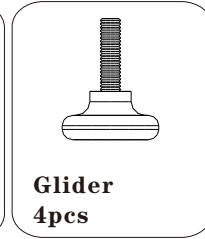
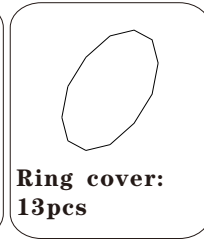
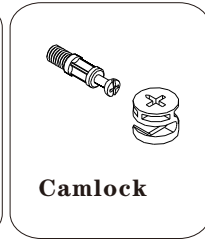
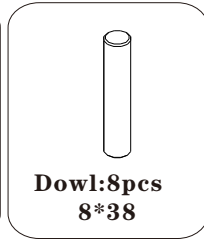
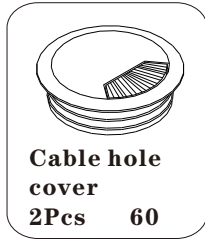
Please follow these instruction for easy assembly.



IMPORTANT!!

- ! Place all wooden parts on a clean and smooth surface such as a rug or carpet to avoid the parts from being scratched.
- ! Check that you have all parts and hardware .
- ! Remove all wrapping materials,including staples & packing straps before you start to

Please follow these instruction for easy assembly.

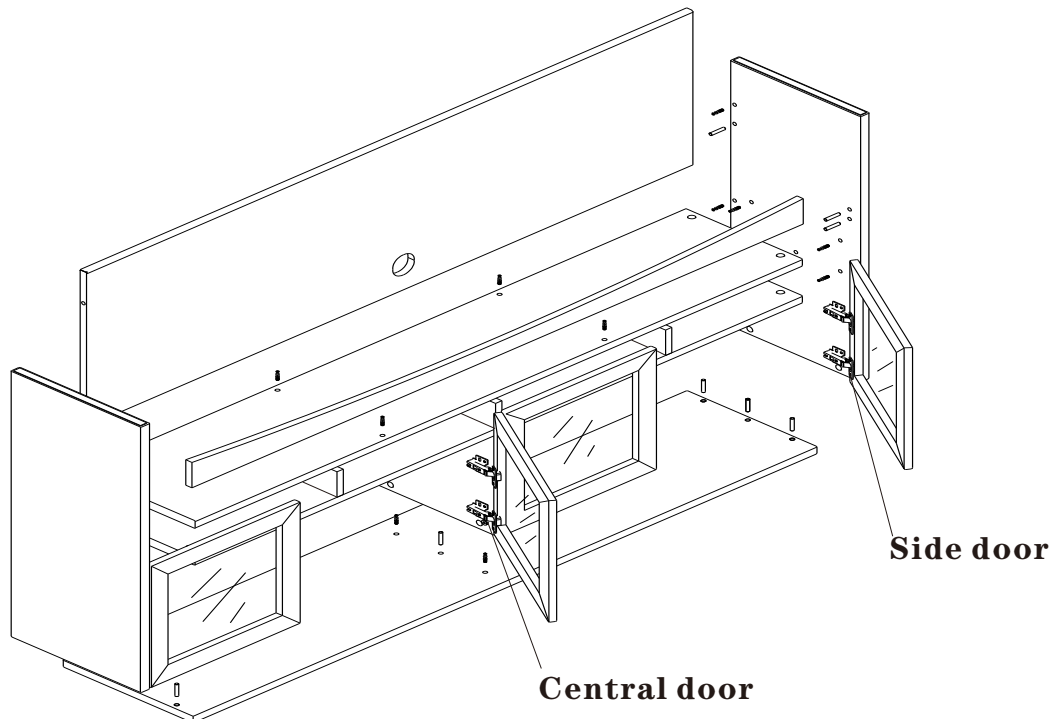
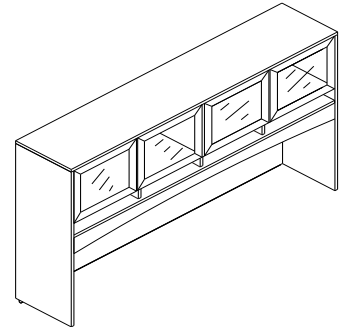
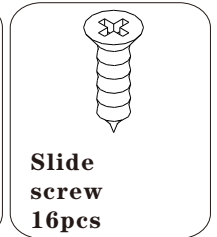
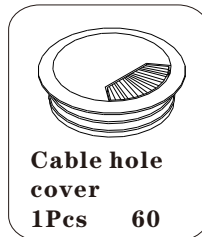
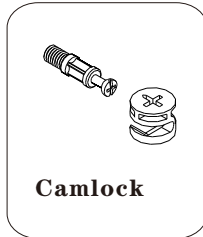
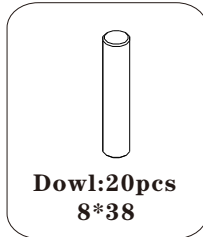


IMPORTANT!!

- ! Place all wooden parts on a clean and smooth surface such as a rug or carpet to avoid the parts from being scratched.
- ! Check that you have all parts and hardware .
- ! Remove all wrapping materials,including staples & packing straps before you start to

No. UP143

Please follow these instruction for easy assembly.



IMPORTANT!!

- ! Place all wooden parts on a clean and smooth surface such as a rug or carpet to avoid the parts from being scratched.
- ! Check that you have all parts and hardware .
- ! Remove all wrapping materials,including staples & packing straps before you start to assemble.